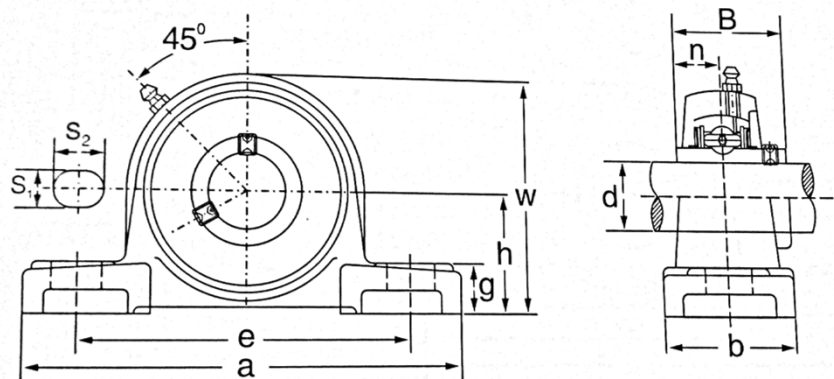


Pillow block serie UCP



n. Rolamentos	dimensões mm inch											tamanho do parafuso mm inch
	d	h	a	e	b	S1	S2	g	W	B	n	
UCP201	12	30,2	127	95	38	13	19	14	62	31	12,7	M10
UCP201-8	1 / 2	1-3 / 1/6	5	3-3 / 4	1-1 / 2	1 / 2	3 / 4	9 / 16	2-7 / 16	1,2205	0,5	3 / 8
UCP202	15	30,2	127	95	38	13	19	14	62	31	12,7	M10
UCP202-9	9 / 16	1-3 / 1/6	5	3-3 / 4	1-1 / 2	1 / 2	3 / 4	9 / 16	2-7 / 16	1,2205	0,5	3 / 8
UCP202-10	5 / 8											
UCP203	17	30,2	127	95	38	13	19	14	62	31	12,7	M10
UCP203-11	11 / 16	1-3 / 1/6	5	3-3 / 4	1-1 / 2	1 / 2	3 / 4	9 / 16	2-7 / 16	1,2205	0,5	3 / 8
UCP204	20	33,3	127	95	38	13	19	14	62	31	12,7	M10
UCP204-12	3 / 4	1-5 / 16	5	3-3 / 4	1-1 / 2	1 / 2	3 / 4	9 / 16	2-9 / 16	1,2205	0,5	3 / 8
UCP205	25	36,5	140	105	38	13	19	15	71	34,1	14,3	M10
UCP205-13	13 / 16	1-7 / 16	5-1 / 2	4-1 / 8	1-1 / 2	1 / 2	3 / 4	19 / 32	2-25 / 32	1,3425	0,563	3 / 8
UCP205-14	7 / 8											
UCP205-15	15 / 16											
UCP205-16	1											
UCP206	30	42,9	165	121	48	17	20	17	84	38,1	15,9	M14
UCP206-17	1-1 / 16	1-11 / 16	6-1 / 2	4-3 / 4	1-7 / 8	43 / 64	25 / 32	21 / 32	3-5 / 16	1,5	0,626	17 / 32
UCP206-18	1-1 / 8											
UCP206-19	1-3 / 16											
UCP206-20	1-1 / 4											
UCP207	35	47,6	167	127	48	17	20	18	93	42,9	17,5	M14
UCP207-20	1-1 / 4	1-7 / 8	6-9 / 16	5	1-7 / 8	43 / 64	25 / 32	45 / 64	3-21 / 32	1,689	0,689	17 / 32
UCP207-21	1-5 / 16											
UCP207-22	1-3 / 8											
UCP207-23	1-7 / 16											
UCP208	40	49,2	184	137	54	17	20	18	100	49,2	19	M14
UCP208-24	1-1 / 2	1-15 / 16	7-1 / 4	5-13 / 32	2-1 / 8	43 / 64	25 / 32	45 / 64	3-15 / 16	1,937	0,748	17 / 32
UCP208-25	1-9 / 16											
UCP209	45	54	190	146	54	17	20	20	106	49,2	19	M14
UCP209-26	1-5 / 8	2-1 / 8	7-15 / 32	5-3 / 4	2-1 / 8	43 / 64	25 / 32	25 / 32	4-11 / 64	1,937	0,748	17 / 32
UCP209-27	1-11 / 16											
UCP209-28	1-3 / 4											
UCP210	50	57,2	206	159	60	20	23	21	113	51,6	19	M16
UCP210-29	1-13 / 16	2-1 / 4	8-1 / 8	6-1 / 4	2-3 / 8	25 / 32	29 / 32	53 / 64	4-29 / 64	2,0315	0,748	5 / 8
UCP210-30	1-7 / 8											
UCP210-31	1-15 / 16											
UCP210-32	2											

n. rolamentos	dimensões mm inch											tamanho do parafuso mm inch
	d	h	a	e	b	S1	S2	g	W	B	n	
UCP211	55	63,5	219	171	60	20	23	23	125	55,6	22,2	M16
UCP211-32	2	2-1 / 2	8-5 / 8	6-47 / 64	2-3 / 8	25 / 32	29 / 32	29 / 32	4-59 / 64	2,189	0,874	5 / 8
UCP211-33	2-1 / 16											
UCP211-34	2-1 / 8											
UCP211-35	2-3 / 16											
UCP212	60	69,8	241	184	70	20	23	25	138	65,1	25,4	M16
UCP212-36	2-1 / 4	2-3 / 4	9-1 / 2	7-1 / 4	2-3 / 4	25 / 32	29 / 32	63 / 64	5-7 / 16	2,563	1	5 / 8
UCP212-37	2-5 / 16											
UCP212-38	2-3 / 8											
UCP212-39	2-7 / 16											
UCP213	65	76,2	265	204	70	25	28	27	150	65,1	25,4	M20
UCP213-40	2-1 / 2	3	10-7 / 16	3	2-3 / 4	63 / 64	1-3 / 32	1-1 / 16	5-29 / 32	2,563	1	25 / 32
UCP213-41	2-9 / 16											
UCP214	70	79,4	266	210	72	25	28	27	156	74,6	30,2	M20
UCP214-42	2-5 / 8	3-1 / 8	10-15 / 32	8-17 / 32	2-27 / 32	63 / 64	1-3 / 32	1-1 / 16	6-9 / 64	2,937	1,189	25 / 32
UCP214-43	2-11 / 16											
UCP214-44	2-3 / 4											
UCP215	75	82,6	275	217	74	25	28	28	162	77,8	33,3	M20
UCP215-45	2-13 / 16	3-1 / 4	10-53 / 64	8-35 / 64	2-29 / 32	63 / 64	1-3 / 32	1-3 / 32	6-3 / 8	3,063	1,311	25 / 32
UCP215-46	2-7 / 8											
UCP215-47	2-15 / 16											
UCP215-48	3											
UCP216	80	88,9	292	232	78	25	28	30	174	82,6	65,1	M20
UCP216-49	3-1 / 16	3-1 / 2	11-1 / 2	9-1 / 8	3-1 / 16	63 / 64	1-3 / 32	1-3 / 16	6-27 / 32	3,252	2,563	25 / 32
UCP216-50	3-1 / 8											
UCP216-51	2-3 / 16											
UCP217	85	95,2	310	247	83	25	28	32	185	85,7	34,1	M20
UCP217-52	3-1 / 4	3-3 / 4	12-13 / 64	9-23 / 32	3-17 / 64	63 / 64	1-3 / 32	1-1 / 4	7-9 / 32	3,374	1,343	25 / 32
UCP217-53	3-5 / 16											
UCP217-54	3-7 / 16											
UCP218	90	101,6	327	262	88	27	30	33	198	96	39,7	M20
UCP218-56	3-1 / 2	4	12-7 / 8	10-5 / 16	3-15 / 32	1-1 / 16	1-3 / 16	1-19 / 64	7-51 / 64	3,7795	1,563	25 / 32
UCP305	25	45	175	132	45	17	20	15	85	38	15	M14
UCP305-13	13 / 16	1-46 / 64	6-7 / 8	5-3 / 16	1-25 / 32	43 / 64	25 / 32	19 / 32	3-11 / 32	1,4961	0,591	17 / 32
UCP305-14	78											
UCP305-15	15 / 16											
UCP305-16	1											
UCP306	30	50	180	140	50	17	20	18	85	43	17	M14
UCP306-17	1-1 / 16	1-31 / 32	7-3 / 32	5-1 / 2	1-31 / 32	43 / 64	25 / 32	23 / 32	3-3 / 4	1,6929	0,669	17 / 32
UCP306-18	1-1 / 8											
UCP306-19	1-3 / 16											

n. rolamentos	dimensões mm inch											tamanho do parafuso mm inch
	d	h	a	e	b	S1	S2	g	W	B	n	
UCP307	35	56	210	160	56	17	25	20	106	48	19	M14
UCP307-20	1-1 / 4	1-13 / 64	8-9 / 32	6-5 / 16	2-13 / 64	43 / 64	31 / 32	25 / 32	4-3 / 16	1,8898	1,748	17 / 32
UCP307-21	1-5 / 16											
UCP307-22	1-3 / 8											
UCP307-23	1-7 / 16											
UCP308	40	60	220	170	60	17	27	22	116	52	19	M14
UCP308-24	1-1 / 2	2-23 / 64	8-21 / 32	6-11 / 16	2-3 / 8	43 / 64	1-11 / 16	7 / 8	4-9 / 16	2,0472	0,748	17 / 32
UCP308-25	1-9 / 16											
UCP309	45	67	245	190	67	20	30	24	129	57	22	M16
UCP309-26	1-5 / 8	2-41 / 64	9-21 / 32	7-15 / 32	2-5 / 8	25 / 32	1-3 / 16	15 / 16	5-3 / 32	2,2441	0,866	5 / 8
UCP309-27	1-11 / 16											
UCP309-28	1-3 / 4											
UCP310	50	75	275	212	75	20	35	27	143	61	22	M16
UCP310-29	1-13 / 16	2-61 / 64	10-13 / 16	8-11 / 32	2-15 / 16	25 / 32	1-3 / 8	1-1 / 16	5-5 / 8	2,4016	0,866	5 / 8
UCP310-30	1-7 / 8											
UCP310-31	1-15 / 16											
UCP311	55	80	310	236	80	20	38	30	154	66	25	M16
UCP311-32	2	3-5 / 32	12-7 / 32	9-9 / 32	3-5 / 32	25 / 32	1-1 / 2	1-3 / 16	6-1 / 16	2,5984	0,948	5 / 8
UCP311-33	2-1 / 16											
UCP311-34	2-1 / 8											
UCP311-35	2-3 / 16											
UCP312	60	85	330	250	85	25	38	32	165	71	26	M20
UCP312-36	2-1 / 4	3-11 / 32	13	9-17 / 32	3-11 / 32	31 / 32	1-1 / 2	1-1 / 4	6-1 / 2	2,7953	1,024	25 / 32
UCP312-37	2-5 / 16											
UCP312-38	2-3 / 8											
UCP312-39	2-7 / 16											
UCP313	65	90	340	260	90	25	38	33	176	75	30	M20
UCP313-40	2-1 / 2	3-35 / 64	13-3 / 8	10-1 / 4	3-17 / 32	31 / 32	1-1 / 2	1-5 / 16	6-15 / 16	2,9528	1,818	25 / 32
UCP313-41	2-9 / 16											
UCP314	70	95	360	280	90	27	40	35	187	78	33	M22
UCP314-42	2-5 / 8	3-47 / 64	14-3 / 16	11-1 / 32	3-17 / 32	1-1 / 16	1-9 / 16	1-3 / 8	7-3 / 8	3,0708	1,299	27 / 32
UCP314-43	2-11 / 16											
UCP314-44	2-3 / 4											
UCP315	75	100	380	290	100	27	40	35	198	82	32	M22
UCP315-45	2-13 / 16	3-15 / 16	14-31 / 32	11-13 / 32	3-15 / 16	1-1 / 16	1-9 / 16	1-3 / 8	7-25 / 32	3,2283	1,26	27 / 32
UCP315-46	3-7 / 8											
UCP315-47	2-15 / 16											
UCP315-48	3											
UCP316	80	106	400	300	110	27	40	40	210	86	34	M22
UCP316-49	3-1 / 16	4-11 / 64	15-3 / 4	11-13 / 16	4-11 / 32	1-1 / 16	1-9 / 16	1-9 / 16	8-9 / 32	3,3858	1,339	27 / 32
UCP316-50	3-1 / 8											
UCP316-51	3-3 / 16											

n. rolamentos	dimensões mm inch											tamanho do parafuso mm inch
	d	h	a	e	b	S1	S2	g	W	B	n	
UCP317	85	112	420	320	110	33	45	40	220	96	40	M27
UCP317-52	3-1 / 4	4-13 / 32	16-17 / 32	12-19 / 32	4-11 / 32	1-5 / 16	1-25 / 32	1-9 / 16	8-21 / 32	3,7795	1,575	1-1 / 16
UCP317-53	3-5 / 16											
UCP317-55	3-7 / 16											
UCP318	90	118	430	330	110	33	45	45	235	96	40	M27
UCP318-55	3-7 / 16	4-41 / 64	16-15 / 16	13	4-11 / 32	1-5 / 16	1-25 / 32	1-25 / 32	9-1 / 4	3,7795	1,575	1-1 / 16
UCP318-56	3-1 / 2											
UCP319	95	125	470	360	120	36	50	45	250	103	41	M30
UCP319-58	3-5 / 8	4-59 / 64	18-1 / 2	14-3 / 16	4-23 / 32	1-13 / 32	1-31 / 32	1-25 / 32	9-27 / 32	4,0551	1,614	1-1 / 8
UCP319-59	3-11 / 16											
UCP319-60	3-3 / 4											
UCP320	100	140	490	380	120	36	50	50	275	108	42	M30
UCP320-64	4	5-33 / 64	19-9 / 32	14-31 / 32	1-23 / 32	1-31 / 32	1-3 / 31	10-53 / 64	4,22	1,6536	1-1 / 8	1-1 / 8