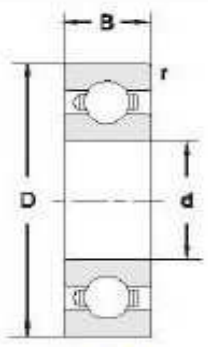
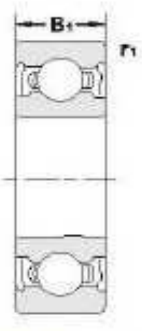


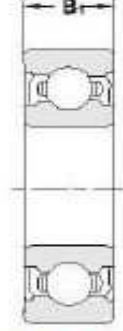
ROLAMENTO RADIAL ESFERA RIGIDA, EM POLEGADA, EM MINIATURA



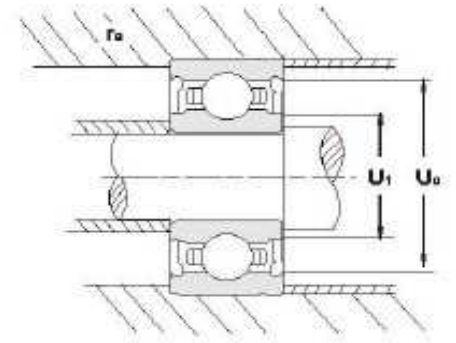
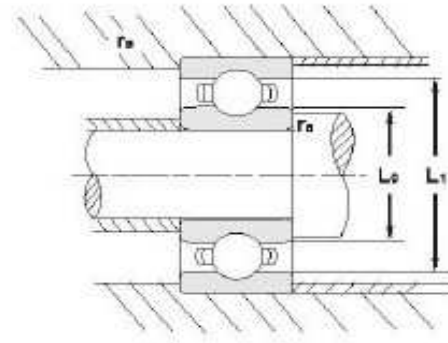
Open type



With dust cover on one side (Z)



With dust cover on both sides (ZZ)



Main Dimensions(mm)					Model			Basic Dynamic	Basic Static	Permissible Rotational Speed(rpm)		Assembly Dimensions(mm)				Reference Weigh (g)	
d	D	B	B ₁	r (Min)	Open type	With dust cover on both sides	With dust cover on one side	Load Ratings C(N)	Load Ratings Co(N)	Grease Lubrication	Oil lubrication	L ₁	L ₀	U ₁	U ₀	Open type	Shielded type
1.016	3.175	1.191	-	0.10	R09	-	-	108	29	130000	150000	1.64	2.60	-	-	0.0001	-
1.191	3.967	1.588	2.380	0.10	RO	RO-Z	RO-2Z	108	34	110000	130000	2.15	3.05	-	3.50	0.0001	0.0002
1.397	4.762	1.984	2.779	0.10	R1	R1-Z	R1-2Z	235	69	90000	110000	2.33	3.80	-	4.10	0.0002	0.0002
1.984	6.350	2.380	3.571	0.10	R1-4	R1-4-Z	R1-4-2Z	284	98	67000	80000	3.92	5.38	-	5.75	0.0004	0.0005
2.380	4.762	1.588	2.380	0.10	R133	R133-Z	R133-2Z	186	59	80000	95000	2.98	4.13	-	4.20	0.0001	0.0002
2.380	7.938	2.779	3.571	0.15	R1-5	R1-5-Z	R1-5-2Z	549	176	60000	71000	4.10	6.40	3.50	7.00	0.0006	0.0012
3.175	6.350	2.380	2.779	0.10	R144	R144-Z	R144-2Z	284	98	67000	80000	3.92	5.38	-	5.75	0.0003	0.0003
3.175	7.938	2.779	3.571	0.10	R2-5	R2-5-Z	R2-5-2Z	559	176	60000	67000	4.35	6.70	-	7.10	0.0005	0.0007
3.175	9.525	2.779	3.571	0.15	R2-6	R2-6-Z	R2-6-2Z	637	225	53000	63000	5.20	7.50	4.60	8.20	0.0010	0.0012
3.175	9.525	3.967	3.967	0.30	R2	R2-Z	R2-2Z	627	216	56000	67000	4.80	7.08	-	7.98	0.0010	0.0014
3.175	12.700	4.366	4.366	0.30	R2A	R2A-Z	R2A-2Z	637	225	53000	63000	5.20	7.50	4.60	8.20	0.0033	0.0033
3.967	7.938	2.779	3.175	0.10	R155	R155-Z	R155-2Z	363	147	53000	63000	5.53	7.00	-	7.30	0.0005	0.0006
4.762	7.938	2.779	3.175	0.10	R156	R156-Z	R156-2Z	363	147	53000	63000	5.53	7.00	-	7.30	0.0004	0.0005
4.762	9.525	3.175	3.175	0.10	R166	R166-Z	R166-2Z	706	274	50000	60000	5.95	8.20	-	8.80	0.0008	0.0009
4.762	12.700	3.967	4.978	0.30	R3	R3-Z	R3-2Z	1303	490	43000	53000	6.95	10.45	6.50	11.15	0.0022	0.0030
4.762	15.875	4.978	4.978	0.30	R3A	R3A-Z	R3A-2Z	1480	617	38000	45000	9.35	12.85	8.40	13.55	0.0048	0.0051
6.350	9.525	3.175	3.175	0.10	R168	R168-Z	R168-2Z	372	176	48000	56000	7.08	8.55	-	8.85	0.0006	0.0006
6.350	12.700	3.175	4.762	0.15	R188	R188-Z	R188-2Z	1078	441	40000	50000	8.00	11.00	7.40	11.60	0.0016	0.0023
6.350	15.875	4.978	4.978	0.30	R4	R4-Z	R4-2Z	1480	617	38000	45000	9.35	12.85	8.40	13.55	0.0045	0.0045
6.350	19.050	5.558	7.142	0.40	R4A(EE2)	R4A-Z	R4A-2Z	2332	892	36000	43000	10.12	15.02	8.50	16.50	0.0075	0.0100
7.938	12.700	3.967	3.967	0.15	R1810	R1810-Z	R1810-2Z	539	274	40000	48000	9.35	11.15	9.00	11.56	0.0014	0.0016
7.938	22.225	7.142	7.142	0.40	R5A(EE3)	R5A-Z	R5A-2Z	3330	1420	33000	39000	9.35	18.70	19.90	19.90	0.0080	0.0105
9.525	22.225	5.558	7.142	0.40	R6	R6-Z	R6-2Z	3332	1421	32000	38000	12.80	18.70	11.90	19.90	0.0090	0.0117