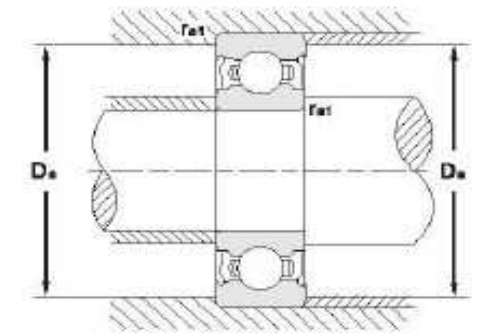
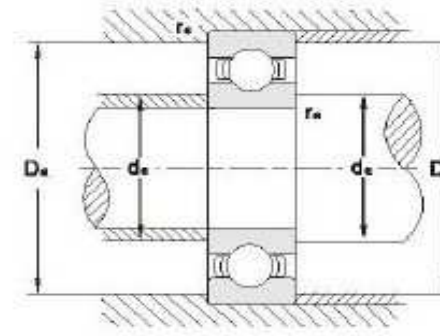
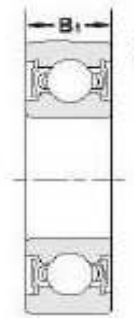
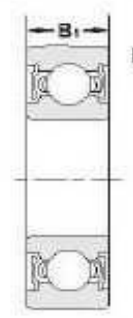
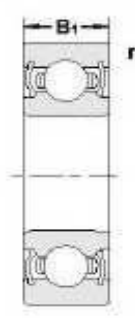
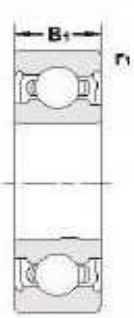
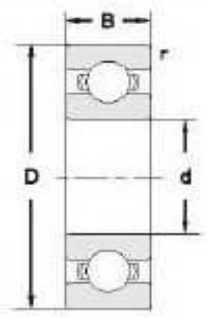


# ROLAMENTO RADIAL ESFERA RIGIDA EM MINIATURA



With dust cover on both sides (2Z)

With contact seal on both sides (2RS)

With non-contact seal on both sides (2RZ)

With non-contact seal on both sides (2RZ)

Main Dimensions(mm)						Model				Basic Dynamic	Basic Static	Permissible Rotational Speed(rpm)			Assembly Dimensions(mm)						Reference (g)	Weight
d	D	Open type	Open type	Sealed type	Shielded type	Open type	Shielded type	Contact sealed type	Non-contact sealed type	Load Ratings C(N)	Load Ratings Co(N)	Grease Lubrication	Grease Lubrication	Oil lubrication	da (Min)	da (Min)	Da	Da (Max)	ra	ra1 (Max)	Open type	Sealed type
		B	r(Min)	B1	r1 (Min)							Open type.2Z.2RZ	2RS		Open type	Sealed type	(Max) Open type	Sealed type	(Max) Open type	Shielded type		
1.0	3	1.0	0.05	1.5	0.05	681	681-2Z	-	-	80	23	130000	-	150000	1.4	-	2.6	-	0.05	-	0.08	-
1.0	3	1.5	0.05	-	-	MR31	-	-	-	80	23	130000	-	150000	1.4	-	2.6	-	0.05	-	0.07	-
1.0	4	1.6	0.10	2.3	0.10	691	691-2Z	-	-	140	36	100000	-	120000	1.8	-	3.2	-	0.10	-	0.10	-
1.2	4	1.8	0.10	2.5	0.10	MR41X	MR41X2Z	-	-	138	35	110000	-	130000	2.0	1.7	3.2	3.4	0.10	0.10	0.10	0.14
1.5	4	1.2	0.05	2.0	0.05	68/1.5	68/1.5-2Z	-	-	112	33	100000	-	120000	2.3	2.2	3.2	3.4	0.05	0.05	0.07	0.11
1.5	5	2.0	0.15	2.6	0.15	69/1.5	69/1.5-2Z	-	-	240	69	85000	-	100000	2.7	2.5	3.8	4.3	0.15	0.15	0.17	0.19
1.5	6	2.5	0.15	3.0	0.15	60/1.5	60/1.5-2Z	-	-	330	99	75000	-	90000	2.7	2.7	4.8	5.2	0.15	0.15	0.31	0.36
2.0	4	1.2	0.05	2.0	0.06	672	672-2Z	-	-	104	37	83000	-	98000	2.5	-	3.5	-	0.05	0.05	0.10	0.14
2.0	5	1.5	0.08	2.3	0.08	682	682-2Z	-	-	188	59	85000	-	100000	2.8	2.7	4.2	4.2	0.08	0.08	0.12	0.17
2.0	5	2.0	0.10	2.5	0.10	MR52	MR52-2Z	-	-	188	59	85000	-	100000	2.8	2.6	4.2	4.4	0.10	0.10	0.16	0.22
2.0	6	2.3	0.15	3.0	0.15	692	692-2Z	-	-	330	99	75000	-	90000	3.2	3.0	4.8	5.2	0.15	0.15	0.28	0.38
2.0	6	2.5	0.15	2.5	0.15	MR62	MR62-2Z	-	-	330	99	75000	-	90000	3.2	3.0	4.8	5.0	0.15	0.15	0.28	0.33
2.0	7	2.5	0.15	3.0	0.15	MR72	MR72-2Z	-	-	385	128	63000	-	75000	3.2	3.2	5.8	6.2	0.15	0.15	0.43	0.47
2.0	7	2.8	0.15	3.5	0.15	602	602-2Z	-	-	385	128	63000	-	75000	3.2	3.2	5.8	6.2	0.15	0.15	0.51	0.58
2.5	5	1.5	0.08	2.3	0.08	67/2.5	67/2.5-2Z	-	-	153	59	70000	-	82000	3.1	-	4.4	-	0.08	0.08	0.11	0.11
2.5	6	1.8	0.08	2.6	0.08	68/2.5	68/2.5-2Z	-	-	209	73	72000	-	80000	3.7	3.7	4.8	5.2	0.08	0.08	0.23	0.29
2.5	7	2.5	0.15	3.5	0.15	69/2.5	69/2.5-2Z	-	-	385	128	63000	-	75000	3.7	3.7	5.8	6.2	0.15	0.15	0.40	0.55
2.5	8	2.5	0.20	-	-	MR82X	MR82X-2Z	-	-	560	179	60000	-	67000	4.1	-	6.4	-	0.20	-	0.52	-
2.5	8	2.8	0.15	4.0	0.15	60/2.5	60/2.5-2Z	-	-	550	175	60000	-	67000	4.0	3.7	6.8	7.2	0.15	0.15	0.63	0.83
3.0	6	2.0	0.08	2.5	0.08	673	673-2Z	-	-	209	73	71000	-	80000	3.8	3.6	5.2	5.4	0.08	0.08	0.19	0.28

Main Dimensions(mm)						Model				Basic Dynamic	Basic Static	Permissible Rotational Speed(rpm)			Assembly Dimensions(mm)						Reference (g)	Weight
d	D	Open type B	Open type r(Min)	Sealed type B <sub>1</sub>	Shielded type r <sub>1</sub> ( Min)	Open type	Shielded type	Contact sealed type	Non-contact sealed type			Load Ratings C(N)	Load Ratings Co(N)	Grease Lubrication Open type.2Z.2RZ	Grease Lubrication 2RS	Oil lubrication	d <sub>a</sub> (Min) Open type	d <sub>a</sub> ( Min) Sealed type Shielded type	D <sub>a</sub> (Max) Open type	D <sub>a</sub> ( Max) Sealed type Shielded type		
3.0	7	2.0	0.10	3.0	0.10	683	683-2Z	-	-	385	129	62000	-	73000	4.2	3.9	5.8	6.2	0.10	0.10	0.32	0.43
3.0	8	2.5	0.15	-	-	MR83	-	-	-	560	179	60000	-	67000	4.2	-	6.8	-	0.15	-	0.51	-
3.0	8	3.0	0.15	4.0	0.15	693	693-2Z	-	-	560	179	60000	-	67000	4.2	4.2	6.8	7.2	0.15	0.15	0.61	0.83
3.0	9	2.5	0.20	4.0	0.15	MR93	MR93-2Z	-	-	640	226	56000	-	66000	4.6	4.2	7.4	7.8	0.20	0.15	0.68	1.18
3.0	9	3.0	0.15	5.0	0.15	603	603-2Z	-	-	640	226	55000	-	65000	4.2	4.3	7.8	7.8	0.15	0.15	0.84	1.20
3.0	10	4.0	0.15	4.0	0.15	623	623-2Z	-	-	615	226	46000	-	55000	4.2	4.3	8.8	8.8	0.15	0.15	1.65	1.66
3.0	13	5.0	0.20	5.0	0.20	633	633-2Z	-	-	1300	485	42000	-	50000	5.0	5.0	11.0	11.0	0.20	0.20	3.38	3.33
4.0	7	2.0	0.08	2.5	0.08	674	674-2Z	-	-	315	115	60000	-	68000	4.8	4.6	6.2	6.4	0.08	0.08	0.21	0.29
4.0	8	2.0	0.15	3.0	0.10	MR84	MR84-2Z	-	-	395	140	56000	-	67000	5.2	4.8	6.8	7.2	0.15	0.10	0.33	0.56
4.0	9	2.5	0.10	4.0	0.10	684	684-2Z	-	-	640	226	50000	-	61000	5.2	5.1	7.8	7.9	0.10	0.10	0.63	1.01
4.0	10	3.0	0.20	4.0	0.15	MR104	MR104-2Z	-	-	650	236	48000	-	55000	5.6	5.2	8.4	8.8	0.20	0.15	0.95	1.33
4.0	11	4.0	0.15	4.0	0.15	694	694-2Z	694-2RS	694-2RZ	715	283	44000	34000	53000	5.2	5.2	9.8	9.8	0.15	0.15	1.70	1.75
4.0	12	4.0	0.20	4.0	0.20	604	604-2Z	604-2RS	604-2RZ	970	360	40000	30000	47000	5.6	5.3	10.4	10.8	0.20	0.20	2.25	2.29
4.0	13	5.0	0.20	5.0	0.20	624	624-2Z	624-2RS	624-2RZ	1300	485	38000	28000	45000	5.6	5.3	11.4	11.4	0.20	0.20	2.97	3.04
4.0	16	5.0	0.30	5.0	0.30	634	634-2Z	634-2RS	634-2RZ	1740	670	36000	26000	43000	6.0	6.0	14.0	13.4	0.30	0.30	5.00	5.21
5.0	8	2.0	0.08	2.5	0.08	675	675-2Z	-	-	278	131	53000	-	63000	5.8	5.6	7.2	7.4	0.08	0.08	0.25	0.34
5.0	9	2.5	0.15	3.0	0.15	MR95	MR95-2Z	-	-	435	168	50000	-	60000	6.2	6.0	7.8	8.2	0.15	0.15	0.48	0.54
5.0	10	3.0	0.15	4.0	0.15	MR105	MR105-2Z	-	-	435	168	49000	-	58000	6.2	6.0	8.8	8.8	0.15	0.15	0.90	1.29
5.0	11	3.0	0.15	5.0	0.15	685	685-2Z	685-2RS	685-2RZ	715	283	44000	34000	52000	6.2	6.2	9.8	9.8	0.15	0.15	1.20	1.95
5.0	13	4.0	0.20	4.0	0.20	695	695-2Z	695-2RS	695-2RZ	1080	430	43000	33000	50000	6.6	6.6	11.4	11.4	0.20	0.20	2.40	2.50
5.0	14	5.0	0.20	5.0	0.20	605	605-2Z	605-2RS	605-2RZ	1330	505	38000	28000	45000	6.6	6.3	12.4	12.8	0.20	0.20	3.54	4.00
5.0	16	5.0	0.30	5.0	0.30	625	625-2Z	625-2RS	625-2RZ	1730	670	35000	25000	43000	7.0	7.2	14.0	14.0	0.30	0.30	4.95	6.00
5.0	19	6.0	0.30	6.0	0.30	635	635-2Z	635-2RS	635-2RZ	2620	1060	32000	22000	38000	7.0	7.6	17.0	16.4	0.30	0.30	8.53	9.00
6.0	10	2.5	0.10	3.0	0.10	676	676-2Z	-	-	495	219	45000	-	53000	7.2	6.8	9.2	9.2	0.10	0.10	0.53	0.90
6.0	12	3.0	0.20	4.0	0.15	MR126	MR126-2Z	-	-	715	292	43000	-	50000	7.6	7.2	10.4	10.8	0.20	0.15	1.20	1.60
6.0	13	3.5	0.15	5.0	0.15	686	686-2Z	686-2RS	686-2RZ	1080	440	41000	27000	48000	7.2	7.2	11.8	11.8	0.15	0.15	1.90	2.50
6.0	15	5.0	0.20	5.0	0.20	696	696-2Z	696-2RS	696-2RZ	1740	670	40000	26000	47000	7.6	7.6	13.4	13.4	0.20	0.20	3.79	3.90
6.0	17	6.0	0.30	6.0	0.30	606	606-2Z	606-2RS	606-2RZ	2260	840	36000	24000	42000	8.0	7.8	15.0	15.2	0.30	0.30	5.94	6.00
6.0	19	6.0	0.30	6.0	0.30	626	626-2Z	626-2RS	626-2RZ	2620	1060	32000	22000	38000	8.0	7.2	17.0	17.0	0.30	0.30	7.97	8.00

Main Dimensions(mm)						Model				Basic Dynamic	Basic Static	Permissible Rotational Speed(rpm)			Assembly Dimensions(mm)						Reference (g)	Weight
d	D	Open type	Open type	Sealed type	Shielded type	Open type	Shielded type	Contact sealed type	Non-contact sealed type	Load Ratings C(N)	Load Ratings Co(N)	Grease Lubrication	Grease Lubrication	Oil lubrication	d <sub>a</sub> (Min)	d <sub>a</sub> ( Min)	D <sub>a</sub>	D <sub>a</sub> ( Max)	r <sub>a</sub>	r <sub>a1</sub> ( Max)	Open type	Sealed type
		B	r(Min)	B <sub>1</sub>	r <sub>1</sub> ( Min)							Open type.2Z.2RZ	2RS		Open type	Sealed type	(Max) Open type	Sealed type	(Max) Open type	Sealed type		
6.0	22	7.0	0.30	7.0	0.30	636	636-2Z	636-2RS	636-2RZ	3300	1360	29000	20000	34000	8.0	8.6	20.0	19.4	0.30	0.30	13.00	13.00
7.0	11	2.5	0.10	3.0	0.10	677	677-2Z	-	-	455	201	43000	-	50000	8.2	7.8	9.8	10.2	0.10	0.10	0.59	0.71
7.0	13	3.0	0.20	4.0	0.15	MR137	MR137-2Z	-	-	830	375	40000	-	48000	8.6	8.2	11.4	11.8	0.20	0.15	1.50	1.98
7.0	14	3.5	0.15	5.0	0.15	687	687-2Z	687-2RS	687-2RZ	1170	510	39000	26000	45000	8.2	8.2	12.8	12.8	0.15	0.15	2.00	2.97
7.0	17	5.0	0.30	5.0	0.30	697	697-2Z	697-2RS	697-2RZ	1610	715	36000	23000	42000	9.0	9.0	15.0	15.0	0.30	0.30	4.80	5.01
7.0	19	6.0	0.30	6.0	0.30	607	607-2Z	607-2RS	607-2RZ	2620	1060	34000	22000	40000	9.0	8.8	17.0	17.2	0.30	0.30	7.67	8.00
7.0	22	7.0	0.30	7.0	0.30	627	627-2Z	627-2RS	627-2RZ	3300	1360	30000	20000	36000	9.0	8.2	20.0	20.0	0.30	0.30	12.00	12.00
7.0	26	9.0	0.30	9.0	0.30	637	637-2Z	637-2RS	637-2RZ	4000	1580	25000	19000	30000	9.0	9.6	24.0	23.4	0.30	0.30	24.00	25.00
8.0	12	2.5	0.10	3.5	0.10	678	678-2Z	-	-	535	271	40000	-	48000	9.2	8.8	10.8	11.2	0.10	0.10	0.70	0.95
8.0	14	3.5	0.20	4.0	0.15	MR148	MR148-2Z	-	-	820	385	38000	-	45000	9.6	9.2	12.4	12.8	0.20	0.15	1.90	2.12
8.0	16	4.0	0.20	5.0	0.20	688	688-2Z	688-2RS	688-2RZ	1250	590	36000	21000	43000	9.6	9.6	14.4	14.4	0.20	0.20	3.00	3.70
8.0	19	6.0	0.30	6.0	0.30	698	698-2Z	698-2RS	698-2RZ	2240	905	36000	21000	42000	10.0	10.0	17.0	17.0	0.30	0.30	7.18	7.20
8.0	22	7.0	0.30	7.0	0.30	608	608-2Z	608-2RS	608-2RZ	3300	1360	32000	20000	38000	10.0	9.8	20.0	20.0	0.30	0.30	12.00	12.00
8.0	24	8.0	0.30	8.0	0.30	628	628-2Z	628-2RS	628-2RZ	3350	1410	28000	19000	34000	10.0	9.3	22.0	21.0	0.30	0.30	17.00	17.30
8.0	28	9.0	0.30	9.0	0.30	638	638-2Z	638-2RS	638-2RZ	4550	1970	22000	17000	28000	10.0	10.6	26.0	25.4	0.30	0.30	27.00	28.60
9.0	14	3.0	0.10	4.5	0.10	679	679-2Z	-	-	930	470	36000	-	42000	-	-	-	13.2	0.10	0.10	1.35	1.98
9.0	17	4.0	0.20	5.0	0.20	689	689-2Z	-	-	1730	810	35000	21000	41000	10.6	10.6	15.4	15.4	0.20	0.20	3.53	4.43
9.0	20	6.0	0.30	6.0	0.30	699	699-2Z	699-2RS	699-2RZ	2120	985	34000	20000	40000	11.0	11.0	18.0	18.0	0.30	0.30	8.33	8.45
9.0	24	7.0	0.30	7.0	0.30	609	609-2Z	609-2RS	609-2RZ	3350	1410	30000	19000	36000	11.0	10.8	22.0	22.2	0.30	0.30	14.50	14.60
9.0	26	8.0	0.30	8.0	0.30	629	629-2Z	629-2RS	629-2RZ	4550	1970	26000	18000	32000	13.0	12.3	22.0	22.0	0.30	0.30	19.50	20.00
9.0	30	10.0	0.60	10.0	0.60	639	639-2Z	639-2RS	639-2RZ	5100	2390	21000	15000	26000	13.0	12.6	26.0	25.8	0.60	0.60	34.00	36.00