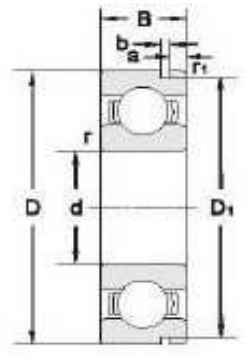
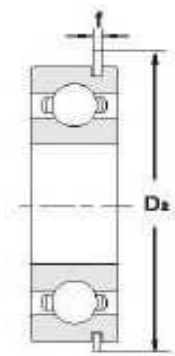


ROLAMENTOS RIGIDOS DE ESFERAS, UMA CARREIRA, COM RANHURA PARA O ANEL DE RETENÇÃO



With groove (N)



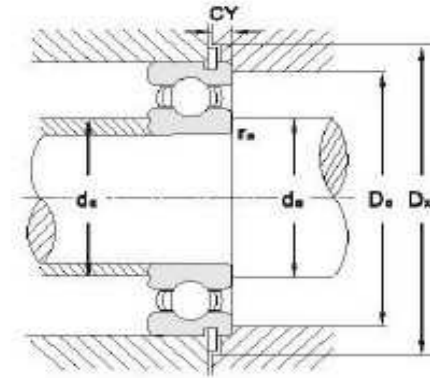
Snap ring or both snap ring (NR)



Snap ring or both snap ring With dust cover on one side (ZNR)



Snap ring or both snap ring With dust cover on both sides (2ZNR)



Main Dimensions(mm)					Dimensions of wheel grooves and stop rings (mm)					Model				Basic Dynamic	Basic Static	Permissible Rotational Speed(rpm)		Assembly Dimensions(mm)					Reference Weight (Kg)
d	D	B	r (Min)	r1 (Min)	D1 (Max)	a (Max)	b (Max)	D2 (Max)	f (Max)	N	NR	ZNR	2ZNR	Load Ratings C(N)	Load Ratings Co(N)	Grease Lubrication	Oil lubrication	da (Min)	Da (Max)	Dx (Min)	ra (Max)	CY (Max)	
10	19	5	0.30	0.30	17.70	1.05	0.80	21.80	0.65	61800N	61800NR	61800-ZNR	61800-2ZNR	1715	833	37000	43000	12.74	16.26	-	-	-	0.0056
10	22	6	0.30	0.30	20.80	1.05	0.80	24.80	0.70	61900N	61900NR	61900-ZNR	61900-2ZNR	2700	1270	33000	38000	12.00	20.00	25.50	0.30	1.50	0.0100
10	26	8	0.30	0.30	24.50	1.35	0.87	28.70	0.84	6000N	6000NR	6000-ZNR	6000-2ZNR	4550	1970	30000	36000	12.00	24.00	29.40	0.30	1.90	0.0180
10	30	9	0.60	0.50	28.17	2.06	1.35	34.70	1.12	6200N	6200NR	6200-ZNR	6200-2ZNR	5100	2390	24000	30000	15.00	25.00	35.50	0.60	2.90	0.0320
10	35	11	0.60	0.50	33.17	2.06	1.35	39.70	1.12	6300N	6300NR	6300-ZNR	6300-2ZNR	8100	3450	21000	26000	15.00	30.00	40.50	0.60	2.90	0.0530
12	21	5	0.30	0.30	19.70	1.05	0.80	23.80	0.65	61801N	61801NR	61801-ZNR	61801-2ZNR	1911	1039	33000	39000	14.80	18.30	-	-	-	0.0065
12	24	6	0.30	0.30	22.80	1.05	0.80	26.80	0.70	61901N	61901NR	61901-ZNR	61901-2ZNR	2900	1460	30000	35000	14.00	22.00	27.50	0.30	1.50	0.0120
12	28	8	0.30	0.30	26.50	1.35	0.87	30.70	0.84	6001N	6001NR	6001-ZNR	6001-2ZNR	5100	2370	28000	32000	14.00	26.00	31.40	0.30	1.90	0.0220
12	32	10	0.60	0.50	30.15	2.06	1.35	36.70	1.12	6201N	6201NR	6201-ZNR	6201-2ZNR	6800	3050	22000	27000	17.00	27.00	37.50	0.60	2.90	0.0370
12	37	12	1.00	0.50	34.77	2.06	1.35	41.30	1.12	6301N	6301NR	6301-ZNR	6301-2ZNR	9800	4250	19000	24000	18.00	31.00	42.00	1.00	2.90	0.0600
15	24	5	0.30	0.30	22.70	1.05	0.80	26.80	0.70	61802N	61802NR	61802-ZNR	61802-2ZNR	2068	1254	28000	33000	17.80	21.30	-	-	-	0.0076
15	28	7	0.30	0.30	26.70	1.30	0.95	30.80	0.85	61902N	61902NR	61902-ZNR	61902-2ZNR	4300	2250	26000	31000	17.00	26.00	31.50	0.30	1.80	0.0170
15	32	9	0.30	0.30	30.15	2.06	1.35	36.70	0.85	6002N	6002NR	6002-ZNR	6002-2ZNR	5600	2840	23000	28000	17.00	30.00	37.50	0.30	2.90	0.0330
15	35	11	0.60	0.50	33.17	2.06	1.35	39.70	1.12	6202N	6202NR	6202-ZNR	6202-2ZNR	7650	3700	19000	24000	20.00	30.00	40.50	0.60	2.90	0.0450
15	42	13	1.00	0.50	39.75	2.06	1.35	46.30	1.12	6302N	6302NR	6302-ZNR	6302-2ZNR	11400	5400	17000	20000	21.00	36.00	47.00	1.00	2.90	0.0820
17	26	5	0.30	0.30	25.00	1.05	0.80	28.80	0.70	61803N	61803NR	61803-ZNR	61803-2ZNR	2234	1460	26000	30000	19.80	23.30	-	-	-	0.0082
17	30	7	0.30	0.30	28.70	1.30	0.95	32.80	0.85	61903N	61903NR	61903-ZNR	61903-2ZNR	4600	2550	24000	29000	19.00	28.00	33.50	0.30	1.80	0.0190
17	35	10	0.30	0.30	33.17	2.06	1.35	39.70	1.12	6003N	6003NR	6003-ZNR	6003-2ZNR	6000	3250	20000	25000	19.00	33.00	40.50	0.30	2.90	0.0410
17	40	12	0.60	0.50	38.10	2.06	1.35	44.60	1.12	6203N	6203NR	6203-ZNR	6203-2ZNR	9550	4800	17000	21000	22.00	35.00	45.50	0.60	2.90	0.0650
17	47	14	1.00	0.50	44.60	2.46	1.35	52.70	1.12	6303N	6303NR	6303-ZNR	6303-2ZNR	13600	6550	15000	18000	23.00	41.00	53.50	1.00	3.30	0.1150
17	62	17	1.10	0.50	59.61	3.28	1.90	67.70	1.70	6403N	6403NR	6403-ZNR	6403-2ZNR	22700	10800	12000	15000	26.00	53.00	68.50	1.00	4.60	0.2710

Main Dimensions(mm)					Dimensions of wheel grooves and stop rings (mm)					Model				Basic Dynamic	Basic Static	Permissible Rotational Speed(rpm)		Assembly Dimensions(mm)					Reference Weight
d	D	B	r (Min)	r ₁ (Min)	D ₁ (Max)	a (Max)	b (Max)	D ₂ (Max)	f (Max)	N	NR	ZNR	2ZNR	Load Ratings C(N)	Load Ratings Co(N)	Grease Lubrication	Oil lubrication	d _a (Min)	D _a (Max)	Dx (Min)	r _a (Max)	CY (Max)	(Kg)
20	32	7	0.30	0.30	30.70	1.30	0.95	34.80	0.85	61804N	61804NR	61804-ZNR	61804-2ZNR	4000	2470	20000	24000	22.00	30.00	35.50	0.30	1.80	0.0200
20	37	9	0.30	0.30	35.70	1.70	0.95	39.80	0.85	61904N	61904NR	61904-ZNR	61904-2ZNR	6350	3700	19000	23000	22.00	35.00	40.50	0.30	2.30	0.0370
20	42	12	0.60	0.50	39.75	2.06	1.35	46.30	1.12	6004N	6004NR	6004-ZNR	6004-2ZNR	9400	5000	17000	21000	24.00	38.00	47.00	0.60	2.90	0.0690
20	47	14	1.00	0.50	44.60	2.46	1.35	52.70	1.12	6204N	6204NR	6204-ZNR	6204-2ZNR	12800	6600	14000	18000	26.00	41.00	53.50	1.00	3.30	0.1060
20	52	15	1.10	0.50	49.73	2.46	1.35	57.90	1.12	6304N	6304NR	6304-ZNR	6304-2ZNR	15900	7900	13000	16000	27.00	45.00	58.50	1.00	3.30	0.1440
20	72	19	1.10	0.50	68.81	3.28	1.90	78.60	1.70	6404N	6404NR	6404-ZNR	6404-2ZNR	31000	15200	11000	13000	29.00	63.00	80.00	1.00	4.60	0.4080
22	44	12	0.60	0.50	41.75	2.06	1.50	48.30	1.07	60/22N	60/22NR	60/22-ZNR	60/22-2ZNR	9400	5150	17000	20000	26.00	40.00	49.00	0.60	2.92	0.0730
22	50	14	1.00	0.50	47.60	2.46	1.35	55.70	1.12	62/22N	62/22NR	62/22-ZNR	62/22-2ZNR	13900	6950	13000	17000	28.00	44.00	56.50	1.00	3.30	0.1200
22	56	16	1.10	0.50	53.60	2.46	1.35	61.70	1.12	63/22N	63/22NR	63/22-ZNR	63/22-2ZNR	18400	9250	12000	15000	29.00	49.00	62.50	1.00	3.30	0.1760
25	37	7	0.30	0.30	35.70	1.30	0.95	39.80	0.85	61805N	61805NR	61805-ZNR	61805-2ZNR	4300	2950	18000	20000	27.00	35.00	40.50	0.30	1.80	0.0230
25	42	9	0.30	0.30	40.70	1.70	0.95	44.80	0.85	61905N	61905NR	61905-ZNR	61905-2ZNR	7000	4500	16000	20000	27.00	40.00	45.50	0.30	2.30	0.0430
25	47	12	0.60	0.50	44.60	2.06	1.35	52.70	1.12	6005N	6005NR	6005-ZNR	6005-2ZNR	10100	5850	15000	18000	29.00	43.00	53.50	0.60	2.90	0.0780
25	52	15	1.00	0.50	49.73	2.46	1.35	57.90	1.12	6205N	6205NR	6205-ZNR	6205-2ZNR	14000	7900	12000	16000	31.00	46.00	58.50	1.00	3.30	0.1280
25	62	17	1.10	0.50	59.61	3.28	1.90	67.70	1.70	6305N	6305NR	6305-ZNR	6305-2ZNR	23600	12100	11000	14000	32.00	55.00	68.50	1.00	4.60	0.2320
25	80	21	1.50	0.50	76.31	3.28	1.90	86.60	1.70	6405N	6405NR	-	-	40000	20100	9500	11000	35.00	70.00	88.00	1.50	4.60	0.5280
28	52	12	0.60	0.50	49.73	2.06	1.50	57.90	1.07	60/28N	60/28NR	60/28-ZNR	60/28-2ZNR	12400	7400	14000	16000	32.00	48.00	58.50	0.60	2.92	0.0970
28	58	16	1.00	0.50	55.60	2.46	1.35	63.70	1.12	62/28N	62/28NR	62/28-ZNR	62/28-2ZNR	17900	9750	11000	14000	34.00	52.00	64.50	1.00	3.30	0.1750
28	68	18	1.10	0.50	64.82	3.28	1.90	74.60	1.70	63/28N	63/28NR	63/28-ZNR	63/28-2ZNR	26800	14000	10000	12000	35.00	61.00	76.00	1.00	4.60	0.2870
30	42	7	0.30	0.30	40.70	1.30	0.95	44.80	0.85	618G6N	61806NR	61806-ZNR	61806-2ZNR	4500	3400	15000	17000	32.00	40.00	45.50	0.30	1.80	0.0270
30	47	9	0.30	0.30	45.70	1.70	0.95	49.80	0.85	61906N	61906NR	61906-ZNR	61906-2ZNR	7250	5000	14000	16000	32.00	45.00	50.50	0.30	2.30	0.0470
30	55	13	1.00	0.50	52.60	2.08	1.35	60.70	1.12	6006N	6006NR	6006-ZNR	6006-2ZNR	13200	8300	12000	15000	35.00	50.00	61.50	1.00	2.90	0.1130
30	62	16	1.00	0.50	59.61	3.28	1.90	67.70	1.70	6206N	6206NR	6206-ZNR	6206-2ZNR	19500	11300	10000	13000	36.00	56.00	68.50	1.00	4.60	0.1990
30	72	19	1.10	0.50	68.81	3.28	1.90	78.60	1.70	6306N	6306NR	6306-ZNR	6306-2ZNR	26700	15000	9200	11000	37.00	65.00	80.00	1.00	4.60	0.3460
30	90	23	1.50	0.50	86.79	3.28	2.70	96.50	2.46	6406N	6406NR	-	-	43500	23800	8500	9500	40.00	80.00	98.00	1.50	4.60	0.7200
32	58	13	1.00	0.50	55.60	2.08	1.50	63.70	1.07	60/32N	60/32NR	-	-	15000	9150	12000	14000	37.00	53.00	64.50	1.00	2.90	0.1270
32	65	17	1.00	0.50	62.60	3.28	1.90	70.70	1.70	62/32N	62/32NR	62/32-ZNR	62/32-2ZNR	22400	13100	9500	12000	38.00	59.00	71.50	1.00	4.60	0.2300
32	75	20	1.10	0.50	71.83	3.28	1.90	81.60	1.70	63/32N	63/32NR	63/32-ZNR	63/32-2ZNR	30000	16200	9000	11000	39.00	68.00	83.00	1.00	4.60	0.3820
35	47	7	0.30	0.30	45.70	1.30	0.95	49.80	0.85	61807N	61807NR	61807-ZNR	61807-2ZNR	4900	4000	13000	15000	37.00	45.00	50.50	0.30	1.80	0.0300
35	55	10	0.60	0.50	53.70	1.70	0.95	57.80	0.85	61907N	61907NR	61907-ZNR	61907-2ZNR	10400	7150	12000	14000	39.00	51.00	58.50	0.60	2.30	0.0750
35	62	14	1.00	0.50	59.61	2.08	1.90	67.70	1.70	6007N	6007NR	6007-ZNR	6007-2ZNR	16000	10300	11000	13000	40.00	57.00	68.50	1.00	3.40	0.1500
35	72	17	1.10	0.50	68.81	3.28	1.90	78.60	1.60	6207N	6207NR	6207-ZNR	6207-2ZNR	25700	15300	9000	11000	42.00	65.00	80.00	1.00	4.60	0.2880

Main Dimensions(mm)					Dimensions of wheel grooves and stop rings (mm)					Model				Basic Dynamic	Basic Static	Permissible Rotational Speed(rpm)		Assembly Dimensions(mm)					Reference Weight
d	D	B	r (Min)	r ₁ (Min)	D ₁ (Max)	a (Max)	b (Max)	D ₂ (Max)	f (Max)	N	NR	ZNR	2ZNR	Load Ratings C(N)	Load Ratings Co(N)	Grease Lubrication	Oil lubrication	d _a (Min)	D _a (Max)	Dx (Min)	r _a (Max)	CY (Max)	(Kg)
35	80	21	1.50	0.50	76.81	3.28	1.90	86.60	1.60	6307N	6307NR	6307-ZNR	6307-2ZNR	33500	19100	8400	10000	44.00	71.00	88.00	1.50	4.60	0.4570
35	100	25	1.50	0.50	96.80	3.28	2.70	106.50	2.46	6407N	6407NR	-	-	55000	31000	7000	8500	45.00	90.00	108.00	1.50	4.60	0.9360
40	52	7	0.30	0.30	50.70	1.30	0.95	54.80	0.85	61808N	61808NR	61808-ZNR	61808-2ZNR	5050	4350	12000	14000	42.00	50.00	55.50	0.30	1.80	0.0340
40	62	12	0.60	0.50	60.70	1.70	0.95	64.80	0.85	61908N	61908NR	61908-ZNR	61908-2ZNR	13700	9900	11000	13000	44.00	58.00	65.50	0.60	2.30	0.1110
40	68	15	1.00	0.50	64.82	2.49	1.90	74.60	1.70	6008N	6008NR	6008-ZNR	6008-2ZNR	16800	11500	9500	12000	45.00	63.00	76.00	1.00	3.80	0.1860
40	80	18	1.10	0.50	76.81	3.28	1.90	86.60	1.70	6208N	6208NR	6208-ZNR	6208-2ZNR	29100	17900	8200	10000	47.00	73.00	88.00	1.00	4.60	0.3660
40	90	23	1.50	0.50	86.79	3.28	2.70	96.50	2.46	6308N	6308NR	6308-ZNR	6308-2ZNR	40500	24100	7500	9000	49.00	81.00	98.00	1.50	5.90	0.6330
40	110	27	2.00	0.50	106.81	3.28	2.70	116.60	2.46	6408N	6408NR	-	-	63500	36500	6500	8000	51.00	99.00	118.00	2.00	5.40	1.2000
45	58	7	0.30	0.30	56.70	1.30	0.95	60.80	0.85	61809N	61809NR	61809-ZNR	61809-2ZNR	6400	5500	11000	13000	47.00	56.00	61.50	0.30	1.80	0.0420
45	68	12	0.60	0.50	66.70	1.70	0.95	70.80	0.85	61909N	61909NR	61909-ZNR	61909-2ZNR	14100	10900	10000	12000	49.00	64.00	72.00	0.60	2.30	0.1240
45	75	16	1.00	0.50	71.83	2.49	1.90	81.60	1.70	6009N	6009NR	6009-ZNR	6009-2ZNR	21000	15200	8800	11000	50.00	70.00	83.00	1.00	3.80	0.2390
45	85	19	1.10	0.50	81.81	3.28	1.90	91.60	1.70	6209N	6209NR	6209-ZNR	6209-2ZNR	32500	20500	7600	9300	52.00	78.00	93.00	1.00	4.60	0.4070
45	100	25	1.50	0.50	96.80	3.28	2.70	106.50	2.46	6309N	6309NR	6309-ZNR	6309-2ZNR	53000	32000	6700	8000	54.00	91.00	108.00	1.50	5.40	0.8330
45	120	29	2.00	0.50	115.21	4.06	3.10	129.70	2.82	6409N	6409NR	-	-	77500	45000	6000	7200	56.00	109.00	131.50	2.00	6.50	1.5500
50	65	7	0.30	0.30	63.70	1.30	0.95	67.80	0.85	61810N	61810NR	61810-ZNR	61810-2ZNR	6600	6050	10000	12000	52.00	63.00	68.50	0.30	1.80	0.0540
50	72	12	0.60	0.50	70.70	1.70	0.95	74.80	0.85	61910N	61910NR	61910-ZNR	61910-2ZNR	14500	11700	9500	11000	54.00	68.00	76.00	0.60	2.30	0.1270
50	80	16	1.00	0.50	76.81	2.49	1.90	86.60	1.70	6010N	6010NR	6010-ZNR	6010-2ZNR	21800	16600	8300	10000	55.00	75.00	88.00	1.00	3.80	0.2520
50	90	20	1.10	0.50	86.79	3.28	2.70	96.50	2.46	6210N	6210NR	6210-ZNR	6210-2ZNR	35000	23200	7000	8600	57.00	83.00	98.00	1.00	5.40	0.4630
50	110	27	2.00	0.50	106.81	3.28	2.70	116.60	2.46	6310N	6310NR	6310-ZNR	6310-2ZNR	62000	38100	6200	7300	60.00	100.00	118.00	2.00	5.40	1.0700
50	130	31	2.10	0.50	125.22	4.06	3.10	139.70	2.82	6410N	6410NR	-	-	87500	52000	5500	6500	63.00	117.00	141.50	2.00	6.50	1.9100
55	72	9	0.30	0.30	70.70	1.70	0.95	74.80	0.85	61811N	61811NR	61811-ZNR	61811-2ZNR	9100	8450	8500	10000	57.00	70.00	76.00	0.30	2.30	0.0850
55	80	13	1.00	0.50	77.90	2.10	1.30	84.40	1.12	61911N	61911NR	61911-ZNR	61911-2ZNR	16000	13200	8000	9000	60.00	75.00	86.00	1.00	2.90	0.1800
55	90	18	1.10	0.50	86.79	2.87	2.70	96.50	2.46	6011N	6011NR	6011-ZNR	6011-2ZNR	28300	21300	7500	9000	61.00	84.00	98.00	1.00	5.00	0.3750
55	100	21	1.50	0.50	96.80	3.28	2.70	106.50	2.46	6211N	6211NR	6211-ZNR	6211-2ZNR	43500	29300	6300	7700	64.00	91.00	108.00	1.50	5.40	0.6070
55	120	29	2.00	0.50	115.21	4.06	3.10	129.70	2.82	6311N	6311NR	6311-ZNR	6311-2ZNR	71500	44500	5600	6600	65.00	110.00	131.50	2.00	6.50	1.3700
55	140	33	2.10	0.50	135.23	4.90	3.10	149.70	2.82	6411N	6411NR	-	-	101000	62000	5000	6000	68.00	127.00	152.00	2.00	7.30	2.3200
60	78	10	0.30	0.30	76.20	1.70	1.30	82.70	1.12	61812N	61812NR	61812-ZNR	61812-2ZNR	11500	10600	8000	9500	62.00	76.00	84.00	0.30	2.50	0.1100
60	85	13	1.00	0.50	82.90	2.10	1.30	89.40	1.12	61912N	61912NR	61912-ZNR	61912-2ZNR	19400	16200	7500	9000	65.00	80.00	91.00	1.00	2.90	0.1950
60	95	18	1.10	0.50	91.82	2.87	2.70	101.60	2.46	6012N	6012NR	6012-ZNR	6012-2ZNR	29500	23200	7000	8300	66.00	89.00	103.00	1.00	5.00	0.4030
60	110	22	1.50	0.50	106.81	3.28	2.70	116.60	2.46	6212N	6212NR	6212-ZNR	6212-2ZNR	52500	36000	5800	7100	69.00	101.00	118.00	1.50	5.40	0.7830
60	130	31	2.10	0.50	125.22	4.06	3.10	139.70	2.82	6312N	6312NR	6312-ZNR	6312-2ZNR	82000	52000	5100	6100	72.00	118.00	141.50	2.00	6.50	1.7000

Main Dimensions(mm)					Dimensions of wheel grooves and stop rings (mm)					Model				Basic Dynamic	Basic Static	Permissible Rotational Speed(rpm)		Assembly Dimensions(mm)					Reference Weight
d	D	B	r (Min)	r ₁ (Min)	D ₁ (Max)	a (Max)	b (Max)	D ₂ (Max)	f (Max)	N	NR	ZNR	2ZNR	Load Ratings C(N)	Load Ratings Co(N)	Grease Lubrication	Oil lubrication	d _a (Min)	D _a (Max)	Dx (Min)	r _a (Max)	CY (Max)	(Kg)
60	150	35	2.10	0.50	145.24	4.90	3.10	159.70	2.82	6412N	6412NR	-	-	109000	70000	4500	5500	73.00	137.00	162.00	2.00	7.30	2.7900
65	85	10	0.60	0.50	82.90	1.70	1.30	89.40	1.12	61813N	61813NR	61813-ZNR	61813-2ZNR	12000	11500	7500	8500	69.00	81.00	91.00	0.60	2.50	0.1300
65	90	13	1.00	0.50	87.90	2.10	1.30	94.40	1.12	61913N	61913NR	61913-ZNR	61913-2ZNR	17400	16000	7000	8500	70.00	85.00	96.00	1.00	2.90	0.2100
65	100	18	1.10	0.50	96.80	2.87	2.70	106.50	2.46	6013N	6013NR	6013-ZNR	6013-2ZNR	30500	25200	6500	7800	71.00	94.00	108.00	1.00	5.00	0.4130
65	120	23	1.50	0.50	115.21	4.06	3.10	129.70	2.82	6213N	6213NR	6213-ZNR	6213-2ZNR	57000	40000	5300	6500	74.00	111.00	131.50	1.50	6.50	0.9900
65	140	33	2.10	0.50	135.23	4.90	3.10	149.70	2.82	6313N	6313NR	6313-ZNR	6313-2ZNR	92500	59500	4700	5700	77.00	128.00	152.00	2.00	7.30	2.0800
65	160	37	2.10	0.50	155.22	4.90	3.10	169.70	2.82	6413N	6413NR	-	-	118000	78500	4500	5200	78.00	147.00	172.00	2.00	7.30	3.3600
70	90	10	0.60	0.50	87.90	1.70	1.30	94.40	1.12	61814N	61814NR	61814-ZNR	61814-2ZNR	12100	11900	7000	8000	74.00	86.00	96.00	0.60	2.50	0.1400
70	100	16	1.00	0.50	98.90	2.50	1.30	104.40	1.12	61914N	61914NR	61914-ZNR	61914-2ZNR	23500	21100	6500	7500	75.00	95.00	106.00	1.00	3.30	0.3320
70	110	20	1.10	0.50	106.81	2.87	2.70	116.60	2.46	6014N	6014NR	6014-ZNR	6014-2ZNR	38000	31000	6000	7100	76.00	104.00	118.00	1.00	5.00	0.5800
70	125	24	1.50	0.50	120.22	4.06	3.10	134.70	2.82	6214N	6214NR	6214-ZNR	6214-2ZNR	62000	44000	5000	5900	79.00	116.00	136.50	1.50	6.50	1.0700
70	150	35	2.10	0.50	145.24	4.90	3.10	159.70	2.82	6314N	6314NR	6314-ZNR	6314-2ZNR	104000	68000	4400	5300	82.00	138.00	162.00	2.00	7.30	2.5200
70	180	42	3.00	0.50	173.66	5.69	3.50	192.90	3.10	6414N	6414NR	-	-	145000	105000	4000	4500	85.00	165.00	195.00	2.50	8.40	5.0000
75	95	10	0.60	0.50	92.90	1.70	1.30	99.40	1.12	61815N	61815NR	61815-ZNR	61815-2ZNR	12500	12800	6500	7500	79.00	91.00	101.00	0.60	2.50	0.1500
75	105	16	1.00	0.50	102.60	2.50	1.30	110.70	1.12	61915N	61915NR	61915-ZNR	61915-2ZNR	23800	23800	6200	7200	80.00	100.00	112.00	1.00	3.30	0.3500
75	115	20	1.10	0.50	111.81	2.87	2.70	121.60	2.46	6015N	6015NR	6015-ZNR	6015-2ZNR	39500	33500	5700	6700	81.00	109.00	123.00	1.00	5.00	0.6150
75	130	25	1.50	0.50	125.22	4.06	3.10	139.70	2.82	6215N	6215NR	6215-ZNR	6215-2ZNR	66000	49500	4800	5600	84.00	121.00	141.50	1.50	6.50	1.1800
75	160	37	2.10	0.50	155.22	4.90	3.10	169.70	2.82	6315N	6315NR	6315-ZNR	6315-2ZNR	114000	77000	4100	5000	87.00	148.00	172.00	2.00	7.30	3.0200
75	190	45	3.00	0.50	183.64	5.69	3.50	202.90	3.10	6415N	6415NR	-	-	154000	115000	3500	4300	90.00	175.00	205.00	2.50	8.40	5.8900
80	100	10	0.60	0.50	97.90	1.70	1.30	104.40	1.12	61816N	61816NR	61816-ZNR	61816-2ZNR	12700	13300	6000	7000	84.00	96.00	106.00	0.60	2.50	0.1600
80	110	16	1.00	0.50	107.60	2.50	1.30	115.70	1.12	61916N	61916NR	61916-ZNR	61916-2ZNR	27600	25300	5500	6500	85.00	105.00	117.00	1.00	3.30	0.3700
80	125	22	1.10	0.50	120.22	2.87	3.10	134.70	2.82	6016N	6016NR	6016-ZNR	6016-2ZNR	47500	39500	5300	6200	86.00	119.00	136.50	1.00	5.30	0.8250
80	140	26	2.00	0.50	135.23	4.90	3.10	149.70	2.82	6216N	6216NR	6216-ZNR	6216-2ZNR	72500	53000	4500	5200	90.00	130.00	152.00	2.00	7.30	1.4000
80	170	39	2.10	0.50	163.65	5.69	3.50	182.90	3.10	6316N	6316NR	6316-ZNR	6316-2ZNR	123000	87000	3800	4500	92.00	158.00	185.00	2.00	8.40	3.5900
80	200	48	3.00	0.50	193.65	5.69	3.50	212.90	3.10	6416N	6416NR	-	-	163000	125000	3300	4000	95.00	185.00	215.00	2.50	8.40	6.9500
85	110	13	1.00	0.50	107.60	2.10	1.30	115.70	1.12	61817N	61817NR	61817-ZNR	61817-2ZNR	19300	19800	5500	6500	90.00	105.00	117.00	1.00	2.90	0.2720
85	120	18	1.10	0.50	117.60	3.30	1.30	125.70	1.12	61917N	61917NR	61917-ZNR	61917-2ZNR	32000	29600	5200	6300	91.00	113.00	127.00	1.00	4.10	0.5240
85	130	22	1.10	0.50	125.22	2.87	3.10	139.70	2.82	6017N	6017NR	6017-ZNR	6017-2ZNR	49500	43000	5000	6000	91.00	124.00	141.50	1.00	5.30	0.8630
85	150	28	2.00	0.50	145.24	4.90	3.10	159.70	2.82	6217N	6217NR	6217-ZNR	6217-2ZNR	78000	58000	4200	4900	95.00	140.00	162.00	2.00	7.30	1.7900
85	180	41	3.00	0.50	173.66	5.69	3.50	192.90	3.10	6317N	6317NR	6317-ZNR	6317-2ZNR	133000	96500	3600	4300	99.00	166.00	195.00	2.50	8.40	4.2300
90	115	13	1.00	0.50	112.60	2.10	1.30	120.70	1.20	61818N	61818NR	61818-ZNR	61818-2ZNR	19000	19700	5300	6200	95.00	110.00	122.00	1.00	2.90	0.2880

Main Dimensions(mm)					Dimensions of wheel grooves and stop rings (mm)					Model				Basic Dynamic	Basic Static	Permissible Rotational Speed(rpm)		Assembly Dimensions(mm)					Reference Weight
d	D	B	r (Min)	r ₁ (Min)	D ₁ (Max)	a (Max)	b (Max)	D ₂ (Max)	f (Max)	N	NR	ZNR	2ZNR	Load Ratings C(N)	Load Ratings Co(N)	Grease Lubrication	Oil lubrication	d _a (Min)	D _a (Max)	Dx (Min)	r _a (Max)	CY (Max)	(Kg)
90	125	18	1.10	0.50	122.60	3.30	1.30	130.70	1.12	61918N	61918NR	61918-ZNR	61918-2ZNR	33000	31500	5000	6000	96.00	119.00	132.00	1.00	4.10	0.5490
90	140	24	1.50	0.50	135.23	3.71	3.10	149.70	2.82	6018N	6018NR	6018-ZNR	6018-2ZNR	58000	49500	4700	5600	97.00	133.00	152.00	1.50	6.10	1.1300
90	160	30	2.00	0.50	155.22	4.90	3.10	169.70	2.82	6218N	6218NR	6218-ZNR	6018-2ZNR	96000	71500	3900	4600	100.00	150.00	172.00	2.00	7.30	2.1500
90	190	43	3.00	0.50	183.64	5.69	3.50	202.90	3.10	6318N	6318NR	6318-ZNR	6318-2ZNR	143000	108000	3400	4000	104.00	176.00	205.00	2.50	8.40	4.9100
95	120	13	1.00	0.50	117.60	2.10	1.30	125.70	1.12	61819N	61819NR	61819-ZNR	61819-2ZNR	19300	20500	5000	6000	100.00	115.00	127.00	1.00	2.90	0.3070
95	130	18	1.10	0.50	127.60	3.30	1.30	135.70	1.12	61919N	61919NR	61919-ZNR	61919-2ZNR	33500	33500	4700	5500	101.00	124.00	137.00	1.00	4.10	0.5760
95	145	24	1.50	0.50	140.23	3.71	3.10	154.70	2.82	6019N	6019NR	6019-ZNR	6019-2ZNR	60500	54000	4500	5300	102.00	138.00	157.00	1.50	6.10	1.1600
95	170	32	2.10	0.50	163.65	5.69	3.50	182.90	3.10	6219N	6219NR	6219-ZNR	6219-2ZNR	109000	82000	3700	4300	107.00	158.00	185.00	2.00	8.40	2.6200
95	200	45	3.00	0.50	193.65	5.69	3.50	212.90	3.10	6319N	6319NR	6319-ZNR	6319-2ZNR	153000	119000	3200	3800	109.00	186.00	215.00	2.50	8.40	5.6700
100	125	13	1.00	0.50	122.60	2.10	1.30	130.70	1.12	61820N	61820NR	61820-ZNR	61820-2ZNR	19600	21200	4600	5500	105.00	120.00	132.00	1.00	2.90	0.3200
100	140	20	1.10	0.50	137.60	3.30	1.90	145.70	1.70	61920N	61920NR	61920-ZNR	61920-2ZNR	42500	42000	4400	5300	106.00	134.00	147.00	1.00	4.70	0.7800
100	150	24	1.50	0.50	145.24	3.71	3.10	159.70	2.82	6020N	6020NR	6020-ZNR	6020-2ZNR	60000	54000	4200	5000	107.00	143.00	162.00	1.50	6.10	1.2000
100	180	34	2.10	0.50	173.66	5.69	3.50	192.90	3.10	6220N	6220NR	6220-ZNR	6220-2ZNR	122000	93000	3500	4100	112.00	168.00	195.00	2.00	8.40	3.1400
105	130	13	1.00	0.50	127.60	2.10	1.30	135.70	1.12	61821N	61821NR	-	-	19900	21900	4500	5500	110.00	125.00	137.00	1.00	2.90	0.3350
105	145	20	1.10	0.50	142.60	3.30	1.90	150.70	1.70	61921N	61921NR	-	-	42500	42000	4200	5100	111.00	139.00	152.00	1.00	4.70	0.8030
105	160	26	2.00	0.50	155.22	3.71	3.10	169.70	2.82	6021N	6021NR	6021-ZNR	6021-2ZNR	72500	65500	4000	4800	113.00	152.00	172.00	2.00	6.10	1.5400
105	190	36	2.10	0.50	183.64	5.69	3.50	202.90	3.10	6221N	6221NR	6221-ZNR	6221-2ZNR	133000	105000	3200	3900	117.00	178.00	205.00	2.00	8.40	3.7600
110	140	16	1.00	0.50	137.60	2.50	1.90	145.70	1.70	61822N	61822NR	-	-	27300	29400	4200	5100	115.00	135.00	147.00	1.00	3.90	0.5260
110	150	20	1.10	0.50	147.60	3.30	1.90	155.70	1.70	61922N	61922NR	-	-	43500	44500	4000	5000	116.00	144.00	157.00	1.00	4.70	0.8460
110	170	28	2.00	0.50	163.65	3.71	3.50	182.90	3.10	6022N	6022NR	6022-ZNR	6022-2ZNR	84500	73000	3800	4500	118.00	162.00	185.00	2.00	6.40	1.9100
110	200	38	2.10	0.50	193.65	5.69	3.50	212.90	3.10	6222N	6222NR	6222-ZNR	6222-2ZNR	144000	117000	3000	3700	122.00	188.00	215.00	2.00	8.40	4.3600
120	150	16	1.00	0.50	147.60	2.50	1.90	155.70	1.70	61824N	61824NR	-	-	28300	31500	4000	4800	125.00	145.00	157.00	1.00	3.90	0.5670
120	165	22	1.10	0.50	161.80	3.70	1.90	171.50	1.70	61924N	61924NR	-	-	53000	54000	3700	4600	126.00	159.00	173.00	1.00	5.10	1.1500
120	180	28	2.00	0.50	173.66	3.71	3.50	192.90	3.10	6024N	6024NR	6024-ZNR	6024-2ZNR	88000	79500	3500	4200	128.00	172.00	195.00	2.00	6.40	2.3600