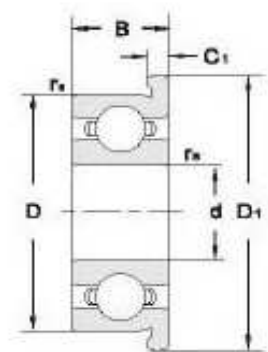
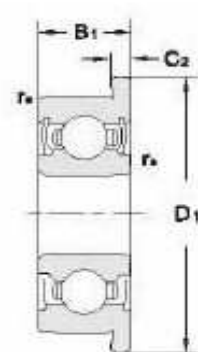


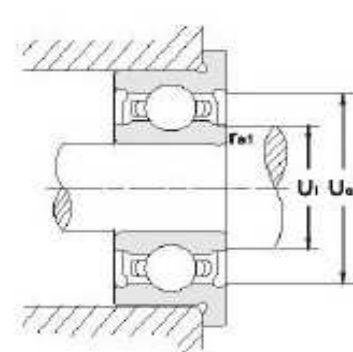
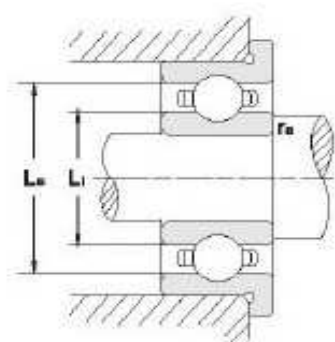
ROLAMENTO RADIAL ESFERA RIGIDA, EM MINIATURA, POLEGADA, COM FLANGE



Open type



With dust cover on both sides (2Z)



Main Dimensions(mm)								Model		Basic Dynamic Load Ratings C(N)	Basic Static Load Ratings Co(N)	Permissible Rotational Speed(rpm)		Assembly Dimensions(mm)				Reference Weigh (g)	
d	D	D ₁	B	B ₁	C ₁	C ₂	rs (min)	Open type	Shielded type			Grease Lubrication	Oil lubrication	L ₁	L ₀	U ₁	U ₀	Open type	Shielded type
1.191	3.967	5.156	1.588	2.380	0.330	0.787	0.10	FRO	FRO-2Z	108	34	110000	130000	2.15	3.05	-	3.50	0.0001	0.0002
1.397	4.762	5.944	1.984	2.779	0.584	0.787	0.10	FR1	FR1-2Z	235	69	90000	110000	2.33	3.80	-	4.10	0.0002	0.0003
1.984	6.350	7.518	2.380	3.571	0.584	0.787	0.10	FR1-4	FR1-4-2Z	284	98	67000	80000	3.92	5.38	-	5.75	0.0005	0.0006
2.380	4.762	5.944	1.588	-	0.457	-	0.10	FR133	-	186	59	80000	95000	2.98	4.13	-	-	0.0001	-
2.380	4.762	5.944	-	2.380	-	0.787	0.10	-	FR133-2Z	147	54	80000	95000	3.00	3.80	-	4.20	-	0.0002
2.380	7.938	9.119	2.779	3.571	0.584	0.787	0.15	FR1-5	FR1-5-2Z	549	176	60000	71000	4.10	6.40	3.50	7.00	0.0007	0.0013
3.175	6.350	7.518	2.380	2.779	0.584	0.787	0.10	FR144	FR144-2Z	284	98	67000	80000	3.92	5.38	-	5.75	0.0003	0.0005
3.175	7.938	9.119	2.779	3.571	0.584	0.787	0.10	FR2-5	FR2-5-2Z	559	176	60000	67000	4.35	6.70	-	7.10	0.0006	0.0008
3.175	9.525	10.719	2.779	3.571	0.584	0.787	0.15	FR2-6	FR2-6-2Z	637	225	53000	63000	5.20	7.50	4.60	8.20	0.0011	0.0014
3.175	9.525	11.176	3.967	3.967	0.762	0.762	0.30	FR2	FR2-2Z	627	216	56000	67000	4.80	7.08	-	7.98	0.0012	0.0015
3.967	7.938	9.119	2.779	3.175	0.584	0.914	0.10	FR155	FR155-2Z	363	147	53000	63000	5.53	7.00	-	7.30	0.0006	0.0007
4.762	7.938	9.119	2.779	3.175	0.584	0.914	0.10	FR156	FR156-2Z	363	147	53000	63000	5.53	7.00	-	7.30	0.0005	0.0006
4.762	9.525	10.719	3.175	3.175	0.584	0.787	0.10	FR166	FR166-2Z	706	274	50000	60000	5.95	8.20	-	8.80	0.0009	0.0010
4.762	12.700	14.351	4.978	4.978	1.067	1.067	0.30	FR3	FR3-2Z	1303	490	43000	53000	6.95	10.45	6.50	11.15	0.0025	0.0032
6.350	9.525	10.719	3.175	3.175	0.584	0.914	0.10	FR168	FR168-2Z	372	176	48000	56000	7.08	8.55	-	8.85	0.0007	0.0007
6.350	12.700	13.894	3.175	4.762	0.584	1.143	0.15	FR188	FR188-2Z	1078	441	40000	50000	8.00	11.00	7.40	11.60	0.0017	0.0025
6.350	15.875	17.526	4.978	4.978	1.067	1.607	0.30	FR4	FR4-2Z	1480	617	38000	45000	9.35	12.85	8.40	13.80	0.0048	0.0049
7.938	12.700	13.894	3.967	3.967	0.787	0.787	0.15	FR1810	FR1810-2Z	539	274	40000	48000	9.35	11.15	9.00	11.55	0.0015	0.0017
9.525	22.225	24.613	5.558	7.142	1.575	1.575	0.40	FR6	FR6-2Z	3332	1421	32000	38000	12.80	18.70	11.90	19.90	0.0097	0.0124