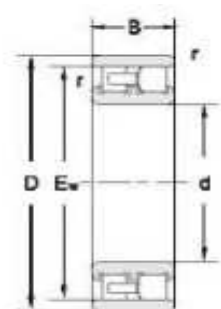


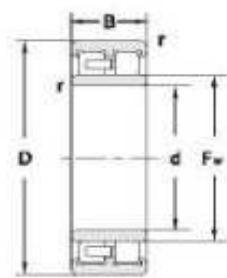
ROLAMENTO DE ROLOS CILINDRICOS, EM DUAS CARREIRAS



NN type Cylindrical bore



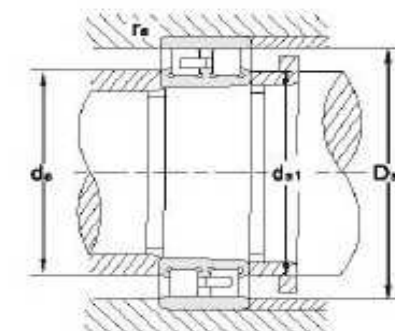
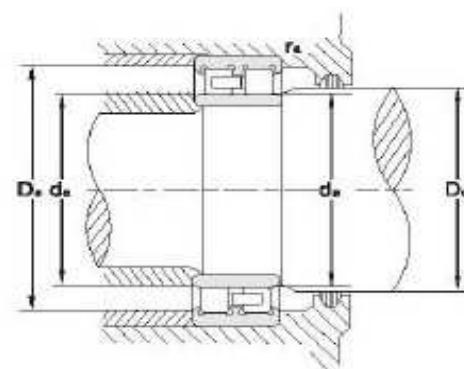
NN type Tapered hole



NNU type Cylindrical bore



NNU type Tapered hole



Main Dimensions (mm)						Model				Basic Dynamic	Basic Static	Permissible Revolutions(rpm)		Assembly Dimensions(mm)						Reference Weigh (g) conic(K)	
d	D	B	E _w	F _w	r (Min)	NN type Cylindrical bore	NN type Tapered hole	NNU type Cylindrical bore	NNU type Tapered hole	Load Ratings C(N)	Load Ratings Co(N)	Grease Lubrication	Oil lubrication	d _a (Min)	d _a (Max)	d _{a1} (Min)	d _c (Min)	D _a (Max)	D _a (Min)	r _a (Max)	
25	47	16	41.3	-	0.6	NN3005	NN3005K	-	-	25700	30000	15000	17000	30.0	-	30	-	42	41.8	1	0.123
30	55	19	48.5	-	1.0	NN3006	NN3006K	-	-	30500	37000	12000	15000	36.0	-	37	-	49	49.0	1	0.199
35	62	20	55.0	-	1.0	NN3007	NN3007K	-	-	39000	50000	11000	13000	41.0	-	42	-	56	56.0	1	0.258
40	68	21	61.0	-	1.0	NN3008	NN3008K	-	-	43000	55500	9800	11000	46.0	-	48	-	62	62.0	1	0.312
45	75	23	67.5	-	1.0	NN3009	NN3009K	-	-	49500	65500	8800	10000	51.0	-	52	-	69	69.0	1	0.405
50	80	23	72.5	-	1.0	NN3010	NN3010K	-	-	52500	72500	8200	9600	56.0	-	58	-	74	74.0	1	0.454
55	90	26	81.0	-	1.1	NN3011	NN3011K	-	-	69000	96500	7300	8600	62.0	-	64	-	83	82.0	1	0.651
60	95	26	86.1	-	1.1	NN3012	NN3012K	-	-	73000	106000	6800	8000	67.0	-	68	-	88	87.0	1	0.704
65	100	26	91.0	-	1.1	NN3013	NN3013K	-	-	76500	116000	6400	7600	72.0	-	74	-	93	92.0	1	0.758
70	110	30	100.0	-	1.1	NN3014	NN3014K	-	-	97000	148000	5700	6800	77.0	-	78	-	103	101.0	1	1.040
75	115	30	105.0	-	1.1	NN3015	NN3015K	-	-	96000	149000	5500	6400	82.0	-	84	-	108	106.0	1	1.140
80	125	34	113.0	-	1.1	NN3016	NN3016K	-	-	118000	186000	5000	6000	87.0	-	90	-	118	114.0	1	1.520
85	130	34	118.0	-	1.1	NN3017	NN3017K	-	-	125000	201000	4800	5600	92.0	-	96	-	123	119.0	1	1.610
90	140	37	127.0	-	1.5	NN3018	NN3018K	-	-	142000	228000	4500	5200	98.5	-	100	-	132	129.0	2	2.070
95	145	37	132.0	-	1.5	NN3019	NN3019K	-	-	150000	246000	4300	5000	103.5	-	106	-	137	134.0	2	2.170
100	140	40	-	113.0	1.1	NN4920	NN4920K	NNU4920	NNU4920K	155000	305000	4200	5000	106.5	111	110	115	134	-	1	1.770
100	150	37	137.0	-	1.5	NN3020	NN3020K	-	-	156000	265000	4000	4700	108.5	-	112	-	142	139.0	2	2.260
105	145	40	-	118.0	1.1	NN4921	NN4921K	NNU4921	NNU4921K	161000	325000	4000	4800	111.5	116	115	120	139	-	1	1.850
105	160	41	146.0	-	2.0	NN3021	NN3021K	-	-	197000	320000	3800	4400	115.0	-	116	-	150	148.0	2	2.890
110	150	40	-	123.0	1.1	NN4922	NN4922K	NNU4922	NNU4922K	165000	335000	3900	4600	116.5	121	120	125	144	-	1	1.930
110	170	45	155.0	-	2.0	NN3022	NN3022K	-	-	227000	375000	3600	4200	120.0	-	122	-	160	157.0	2	3.680
120	165	45	-	134.5	1.1	NN4924	NN4924K	NNU4924	NNU4924K	183000	360000	3500	4200	126.5	133	130	137	159	-	1	2.650

Main Dimensions (mm)						Model				Basic Dynamic	Basic Static	Permissible Revolutions(rpm)		Assembly Dimensions(mm)							Reference Weigh (g) conic(K)
d	D	B	E _w	F _w	r (Min)	NN type Cylindrical bore	NN type Tapered hole	NNU type Cylindrical bore	NNU type Tapered hole	Load Ratings C(N)	Load Ratings Co(N)	Grease Lubrication	Oil lubrication	d _a (Min)	d _a (Max)	d _{a1} (Min)	d _c (Min)	D _a (Max)	D _a (Min)	r _a (Max)	
120	180	46	165.0	-	2.0	NN3024	NN3024K	-	-	238000	405000	3300	3900	130.0	-	132	-	170	167.0	2	3.980
130	180	50	-	146.0	1.5	NN4926	NN4926K	NNU4926	NNU4926K	275000	565000	3200	3800	138.0	144	142	148	172	-	2	3.550
130	200	52	182.0	-	2.0	NN3026	NN3026K	-	-	283000	475000	3000	3500	140.0	-	144	-	190	183.0	2	5.920
140	190	50	-	156.0	1.5	NN4928	NN4928K	NNU4928	NNU4928K	281000	585000	3000	3600	148.0	154	151	158	182	-	2	3.800
140	210	53	192.0	-	2.0	NN3028	NN3028K	-	-	297000	515000	2800	3300	150.0	-	154	-	200	194.0	2	6.440
150	210	60	-	168.5	2.0	NN4930	NN4930K	NNU4930	NNU4930K	350000	715000	2700	3300	159.0	166	162	171	201	-	2	5.950
150	225	56	206.0	-	2.1	NN3030	NN3030K	-	-	335000	585000	2600	3100	162.0	-	164	-	213	208.0	2	7.810
160	220	60	-	178.5	2.0	NN4932	NN4932K	NNU4932	NNU4932K	365000	760000	2600	3100	169.0	176	172	182	211	-	2	6.250
160	240	60	219.0	-	2.1	NN3032	NN3032K	-	-	370000	660000	2500	2900	172.0	-	174	-	228	221.0	2	8.920
170	230	60	-	188.5	2.0	NN4934	NN4934K	NNU4934	NNU4934K	375000	805000	2400	2900	179.0	186	182	192	221	-	2	6.600
170	260	67	236.0	-	2.1	NN3034	NN3034K	-	-	450000	805000	2300	2700	182.0	-	184	-	248	238.0	2	12.600
180	250	69	-	202.0	2.0	NN4936	NN4936K	NNU4936	NNU4936K	480000	1020000	2200	2700	189.0	199	194	205	241	-	2	9.500
180	280	74	255.0	-	2.1	NN3036	NN3036K	-	-	560000	995000	2100	2500	192.0	-	196	-	268	257.0	2	16.600
190	260	69	-	212.0	2.0	NN4938	NN4938K	NNU4938	NNU4938K	485000	1060000	2100	2600	199.0	209	204	215	251	-	2	10.000
190	290	75	265.0	-	2.1	NN3038	NN3038K	-	-	590000	1080000	2000	2400	202.0	-	206	-	278	267.0	2	17.500
200	280	80	-	225.0	2.1	NN4940	NN4940K	NNU4940	NNU4940K	570000	1220000	2000	2400	211.0	222	214	228	269	-	2	10.100
200	310	82	282.0	-	2.1	NN3040	NN3040K	-	-	650000	1170000	1900	2200	212.0	-	216	-	298	285.0	2	21.600
220	300	80	-	245.0	2.1	NN4944	NN4944K	NNU4944	NNU4944K	595000	1330000	1800	2200	231.0	242	234	248	289	-	2	15.500
220	340	90	310.0	-	3.0	NN3044	NN3044K	-	-	810000	1480000	1700	2000	234.0	-	238	-	326	313.0	3	28.400
240	320	80	-	265.0	2.1	NN4948	NN4948K	NNU4948	NNU4948K	610000	1400000	1700	2000	251.0	262	254	269	309	-	2	17.000
240	360	92	330.0	-	3.0	NN3048	NN3048K	-	-	850000	1600000	1600	1900	254.0	-	256	-	346	333	3	31.800
260	360	100	-	292.0	2.1	NN4952	NN4952K	NNU4952	NNU4952K	925000	2100000	1500	1800	271.0	288	276	296	349	-	2	28.300
260	400	104	364.0	-	4.0	NN3052	NN3052K	-	-	1080000	2070000	1400	1700	278.0	-	280	-	382	367	3	46.000
280	380	100	-	312.0	2.1	NN4956	NN4956K	NNU4956	NNU4956K	950000	2230000	1400	1700	291.0	308	296	316	369	-	2	30.300
280	420	106	384.0	-	4.0	NN3056	NN3056K	-	-	1080000	2080000	1300	1600	298.0	-	300	-	402	387	3	49.600
300	420	118	-	339.0	3.0	NN4960	NN4960K	NNU4960	NNU4960K	1220000	2880000	1300	1500	313.0	335	320	343	407	-	3	46.700
300	460	118	418.0	-	4.0	NN3060	NN3060K	-	-	1430000	2740000	1200	1400	318.0	-	325	-	442	421	3	68.700
320	440	118	-	359.0	3.0	NN4964	NN4964K	NNU4964	NNU4964K	1270000	3050000	1200	1400	333.0	355	340	363	427	-	3	49.600
320	480	121	438.0	-	4.0	NN3064	NN3064K	-	-	1430000	2750000	1200	1400	338.0	-	345	-	462	442	3	74.000
340	460	118	-	379.0	3.0	-	-	NNU4968	NNU4968K	1280000	3150000	1100	1300	353.0	375	363	383	447	-	3	54.200
340	520	133	473.0	-	5.0	NN3068	NN3068K	-	-	1670000	3300000	1000	1200	360.0	-	365	-	500	477	4	102.000

Main Dimensions (mm)						Model				Basic Dynamic	Basic Static	Permissible Revolutions(rpm)		Assembly Dimensions(mm)							Reference Weigh (g) conic(K)
d	D	B	E _w	F _w	r (Min)	NN type Cylindrical bore	NN type Tapered hole	NNU type Cylindrical bore	NNU type Tapered hole	Load Ratings C(N)	Load Ratings Co(N)	Grease Lubrication	Oil lubrication	d _a (Min)	d _a (Max)	d _{a1} (Min)	d _c (Min)	D _a (Max)	D _a (Min)	r _a (Max)	
360	480	118	-	398.0	3.0	-	-	NNU4972	NNU4972K	1290000	3250000	1100	1300	373.0	394	383	402	467	-	3	57.000
360	540	134	493.0	-	5.0	NN3072	NN3072K	-	-	1700000	3450000	950	1200	380.0	-	385	-	520	497	4	107.000
380	520	140	-	425.0	4.0	-	-	NNU4976	NNU4976K	1630000	4050000	1000	1200	396.0	420	408	430	504	-	3	84.500
380	560	135	512.0	-	5.0	NN3076	NN3076K	-	-	1690000	3450000	940	1100	400.0	-	411	-	-	516	4	113.000
400	540	140	-	445.0	4.0	-	-	NNU4980	NNU4980K	1690000	4300000	940	1100	416.0	440	428	450	524	-	3	88.200
400	600	148	547.0	-	5.0	NN3080	NN3080K	-	-	2040000	4150000	880	1000	420.0	-	432	-	-	551	4	146.000
420	560	140	-	465.0	4.0	-	-	NNU4984	NNU4984K	1740000	4500000	900	1100	436.0	460	448	470	544	-	3	92.000
420	620	150	567.0	-	5.0	NN3084	NN3084K	-	-	2080000	4300000	840	990	440.0	-	452	-	-	571	4	154.000
440	600	160	-	492.0	4.0	-	-	NNU4988	NNU4988K	2150000	5550000	850	1000	456.0	487	469	497	584	-	3	127.000
440	650	157	596.0	-	6.0	NN3088	NN3088K	-	-	2420000	5100000	800	940	464.0	-	477	-	-	601	5	178.000
460	620	160	-	512.0	4.0	-	-	NNU4992	NNU4992K	2220000	5850000	800	950	476.0	507	489	517	604	-	3	132.000
460	680	163	622.0	-	6.0	NN3092	NN3092K	-	-	2550000	5350000	750	890	484.0	-	498	-	-	627	5	202.000